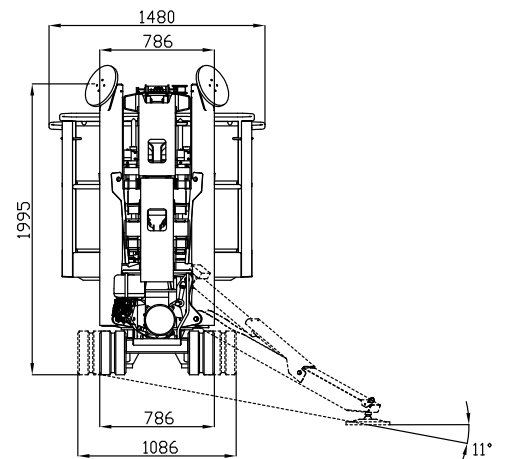
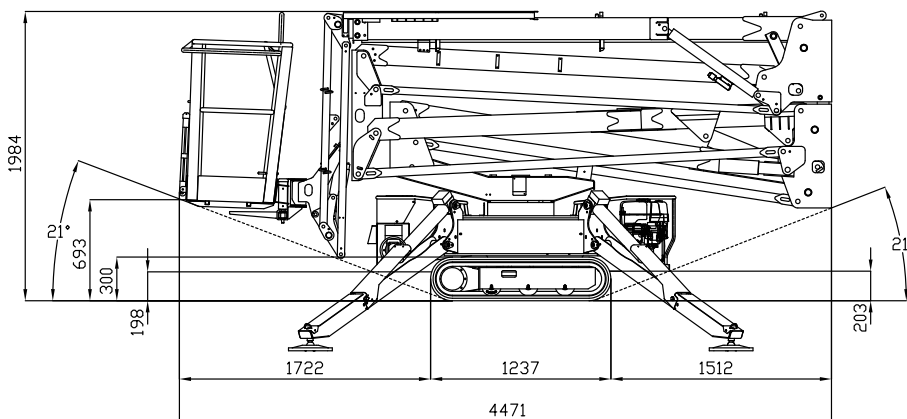
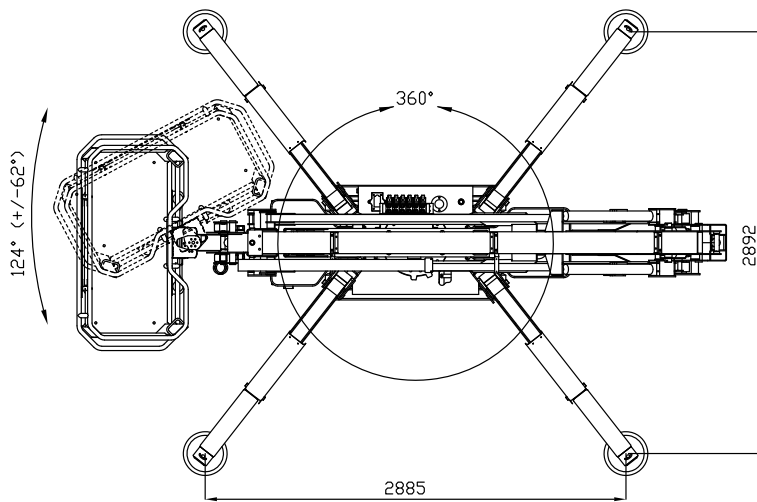


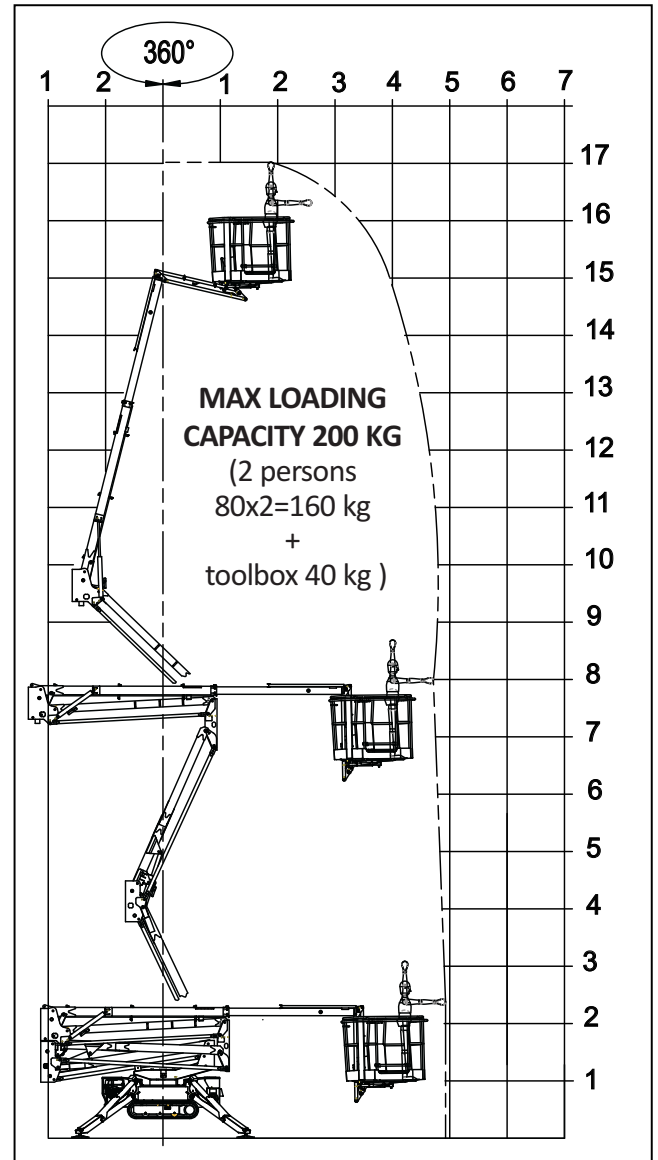
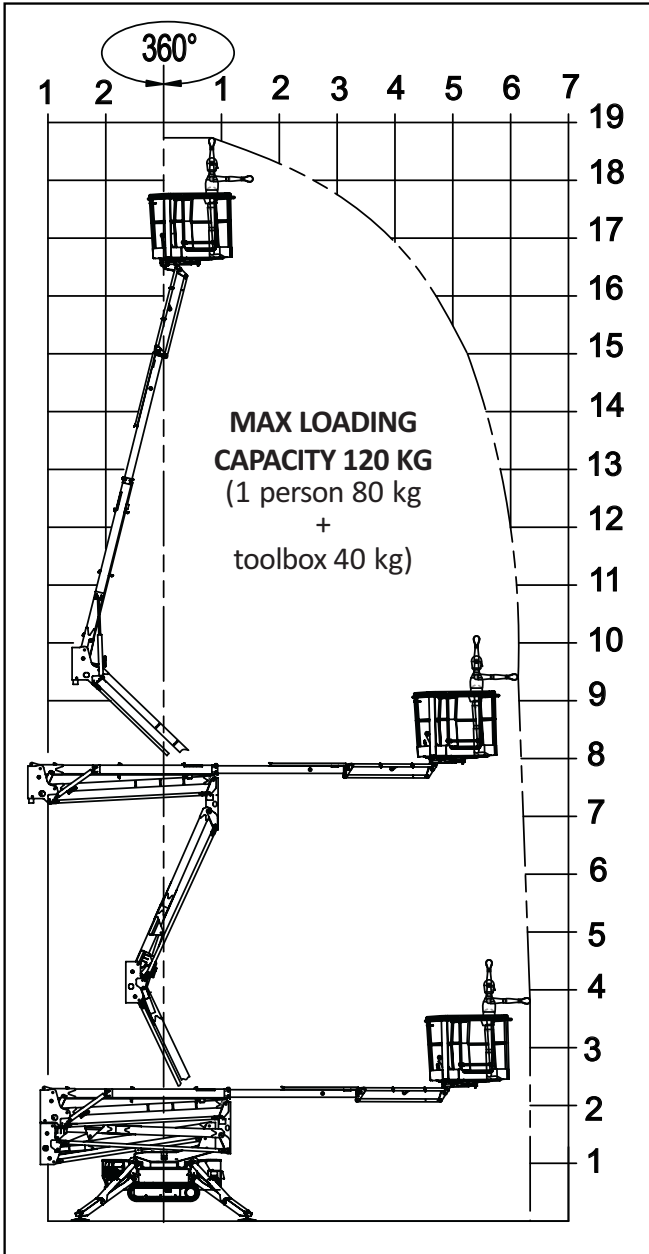
TRACKED AERIAL PLATFORMS



LIGHTLIFT 19.65 *MS*



LIGHTLIFT 19.65 III S



TRACKED AERIAL PLATFORMS



LIGHTLIFT 19.65 III S

PETROL ENGINE

Brand.....HONDA
TypeiGX440
Pistons no. and displacementsingle-cylinder 440 cc
Max. gross power.12,7 HP - 9,5 Kw @ 3600 rpm
Electrical start12 volt

DIESEL ENGINE

BrandHATZ
Type.....1B40 - HD Autorev
Pistons no. and displacementsingle-cylinder 462 cc
Max. gross power.10 HP - 7.5 Kw @ 3600 rpm
Electrical start12 volt

ELECTRIC MOTOR

Standard230V / 50 Hz - 2,2 Kw
Optional110V / 50 Hz - 2,2 Kw

HYDRAULIC PUMPS

Pump diesel engineno. 2 gear pumps
Pump electric motorno. 2 gear pumps

TRACKED UNDERCARRIAGE

Track tensionergrease-filled
Rollers no. per side3 + slide
Widening system.....786 / 1086 mm
Translation speed1,3 km/h
Translation speed (with optional high speed)1,7 / 3,3 km/h

WEIGHT MACHINE 2080 kg
MAX UPPER SLANT16° / 28,7%
MAX WIND SPEED12,5 m/s

LIGHTLIFT 19.65 III S LITHIUM ION

ELECTRIC SYSTEM

Electric system voltage.....	48V-12V
Lithium battery pack.....	4,8 kWh
Autonomy (continuous cycle)*	4-5 h
Onboard battery charger	220V 50Hz
Optional battery charger	110V 50Hz
Recharge time on flat batteries.....	4 h (indicative)
Recharge time to 80% on flat batteries.....	2 h (indicative)

HYDRAULIC PUMPS

Electric motor	no.2 gear pumps
----------------------	-----------------

TRACKED UNDERCARRIAGE

Track tensioner	grease-filled
Rollers no. per side	3 + slide
Widening system.....	786 / 1086 mm
Translation speed	0,9 km/h
Translation speed (with optional high speed)	1,1 / 2,1 km/h

WEIGHT MACHINE	2140 kg
MAX UPPER SLANT	16° / 28,7%
MAX WIND SPEED	12,5 m/s

* (Autonomy measured with Hinowa H2 operating cycle)